

[Create Datasheet](#)

[Back to overview](#)

Outmost water power for TURBO 4

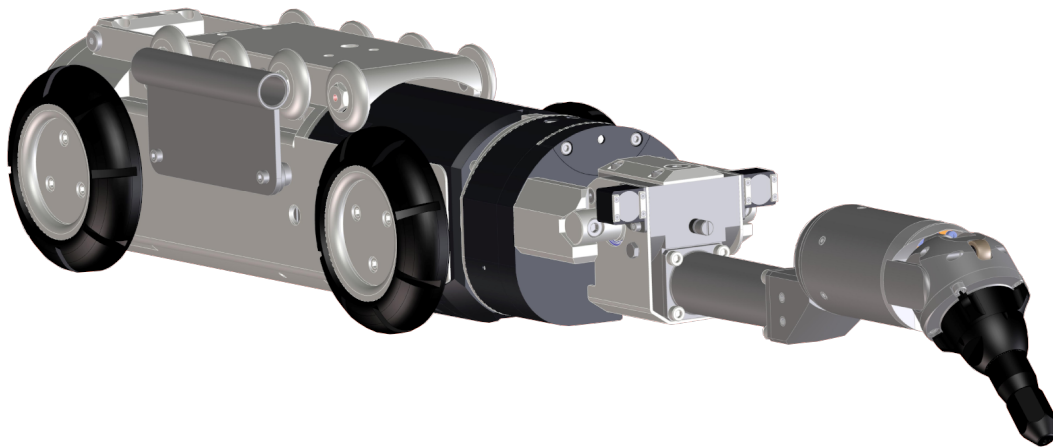
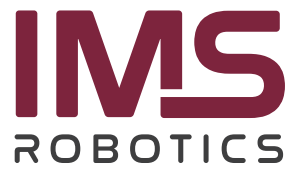
Ultra-high pressure (UHP) water technology CLEANER

There are various procedures for the effective removal of deposits in the main sewer. On the one hand, the pipe can be cleaned by means of cutting robots. A more economical alternative to this is cutting by means of ultra-high pressure (UHP) water technology. With the CLEANER UHP set, you can remove deposits of lime, concrete, or root ingrowths, for example, quickly and effectively with up to 2,500 bar water pressure. In combination with the TURBO 4 cutting robot, the CLEANER UHP set can be used in main sewers with nominal diameters from DN 250 to a maximum of DN 600.

[Create Datasheet](#)

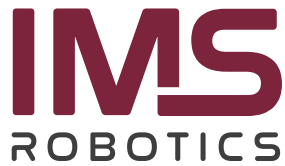
IMS Robotics GmbH
Am Bauhof 6
D-01458 Ottendorf-Okrilla
Fax: +49 35205 53749

+49 35205 7555-0
info@ims-robotics.de
ims-robotics.de



IMS Robotics GmbH
Am Bauhof 6
D-01458 Ottendorf-Okrilla
Fax: +49 35205 53749

+49 35205 7555-0
info@ims-robotics.de
ims-robotics.de



Technical Data

Application range	• Main sewer
Nominal diameter	• Usable in pipes from DN 250 to DN 600
Components	• Ultra-high pressure (UHP) Rotation-Swivel-Drive and parallel UHP swivel arm incl. mounting for rotary nozzles G1/4" • Electrical swivel drive with additional illumination system
Supply hose length / Cable drum	• 100 m supply hose on cable drum (cable drum TURBO 4)
Equipment / Special features	• Ultra-high pressure (UHP) water technology up to 2,500 bar • Usable only in conjunction with TURBO 4 • UHP hose with connection thread M24x1.5 (max. pressure = 2,500 bar) with UHP hose installation to TURBO carriage
Further purchase options	• Swivel head camera

Productvideo

IMS Robotics GmbH
Am Bauhof 6
01458 Ottendorf-Okrilla

info@ims-robotics.de

Product catalogue

[Download the latest Product catalogue](#)

IMS Robotics GmbH
Am Bauhof 6
D-01458 Ottendorf-Okrilla
Fax: +49 35205 53749

+49 35205 7555-0
info@ims-robotics.de
ims-robotics.de